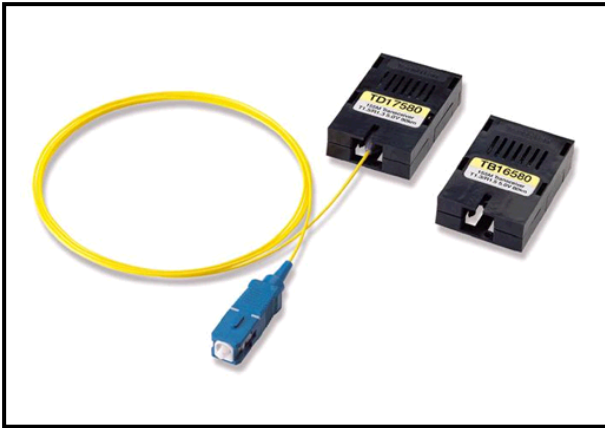


155Mbps Bi-Directional Transceiver Tx1#xxx Series(STM-1/OC-3)



- T1.3 μ m/R1.55 μ m or T1.55 μ m/R1.3 μ m Bi-Directional transceiver with SMF
- SDH STM-1, SONET OC-3 Data Rate of 155Mbps
- Single +3.3V or +5V Power Supply
- 1X9 package with SC Simplex or Pigtailed type

Family Model - x:3.3V or 5V

TB16x15 TB16x40 TB16x60 / TD16x15 TD16x40 TD16x60
TB17x15 TB17x40 TB17x60 / TD16x15 TD16x40 TD16x60

Features

- 1.3 μ m/1.55 μ m Bi-Directional transceiver with single mode fiber
- Compliant with SONET OC-3 and ITU-T SDH STM-1 specifications
- Industry standard 1X9 package with SC connector or pigtailed module with SC connector
- 1.3 μ m or 1.55 μ m uncooled InGaAsP SMQW Fabry-Perot(FP) LD or DFB LD and APC for constant output power
- 1.31 μ m or 1.55 μ m High sensitive InGaAs PIN photodiode
- Single +3.3V or +5V power supply
- LVPECL differential data inputs and outputs
- Operating temperature ; 0 to +70 $^{\circ}$ C/-40 to +85 $^{\circ}$ C
- Tested by Teradian's Reliability and Qualification Program
- Distance options
15km/40km/60km with 9/125 μ m SMF

Description

The Tx1#xxx series transceivers are designed to meet the specifications of SONET OC-3 and ITU-T SDH rates of STM-1(155.52Mbps). The transceivers are manufactured in 1x9 pin package with SC connector or pigtailed module with SC, FC, ST or LC connector interface.

The transmitter consists of a long wavelength (1.3 μ m or 1.55 μ m) InGaAsP SMQW laser diode (FP- LD or DFB LD) in an optical subassembly (OSA).

The OSA is driven by a custom IC which converts differential LVPECL logic signals into a laser diode drive current. The receiver includes a planar InGaAs PIN photodiode mounted with a

transimpedance preamplifier IC in an OSA. The OSA is mated to a custom limiting-amplifier which provides post-amplification and signal detect function(active high). The transceivers are designed to used in a single power supply(+3.3V or +5V) and an operating temperature range of 0°C to +70°C or -40°C to +85°C.

Applications

Used in telecommunication and data communication systems, from medium to high speed for intra-office, short-haul inter-office and long-haul inter-office applications.

- Intra-office and Inter-office SONET/ITU-T SDH
- Fiber in the loop(FTTO, FTTC, FTTH etc.)
- Subscriber loops
- High-speed data links, Single-mode FDDI
- Private optical networks
- ATM

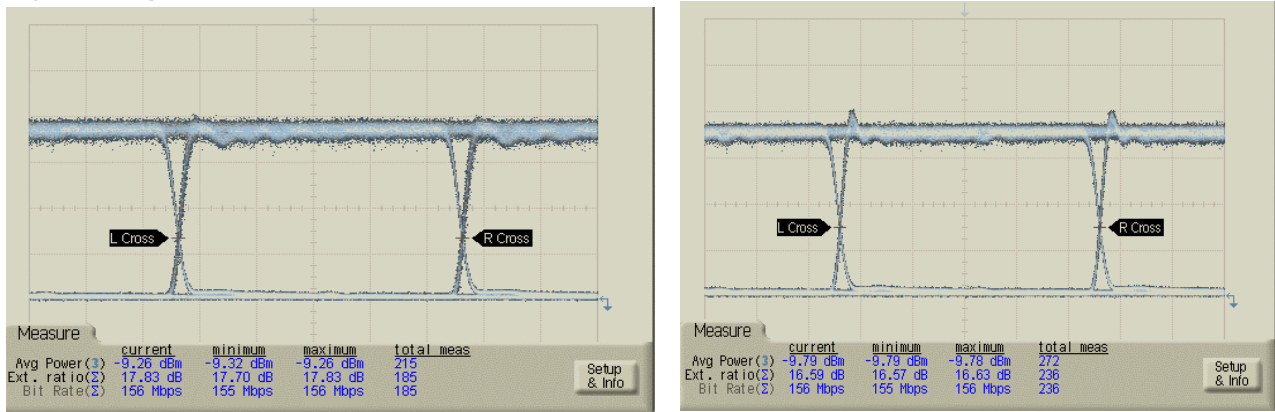
Absolute Maximum Ratings

Parameters	Symbol	Unit	Min.	Max.	Remarks
Ambient Operating Temperature	T_{op}	°C	0	70	Indoor use
			-40	85	Outdoor use
Storage Temperature	T_{stg}	°C	-40	85	
Supply Voltage	$V_{CC}-V_{EE}$	V	-	6.0	
Lead Soldering Temperature/Time		°C/sec		260/10	
Relative Humidity	RH	%	-	95	

Electrical Characteristics

Parameters	Symbol	Unit	Min.	Typ.	Max.	Remarks
DC Power Supply Voltage	$V_{CC}-V_{EE}$	V	3.1	3.3	3.5	3.3V 5V
			4.75	5	5.25	
DC Power Supply Current	$I_{CC,TX}$	mA	35		90	5V option
	$I_{CC,RX}$	mA	95		115	
Input Data Voltage	Low	$V_{IL}-V_{CC}$	-1.810		-1.475	3.3V/5V
	High	$V_{IH}-V_{CC}$	-1.165		-0.880	
Output Data Voltage	Low	$V_{OL}-V_{CC}$	-1.892		-1.548	3.3V/5V
	High	$V_{OH}-V_{CC}$	-1.051		-0.879	
SD Output Voltage	Low	$V_{SD, Low}$	-		-1.48	3.3V/5V
	High	$V_{SD, High}$	-1.16		-	

Eye Diagram



a. Tx : 1.3µm

b. Tx : 1.55µm

Fig. 1 Back-to-back

Optical Characteristics

(T_{op} = 25°C)

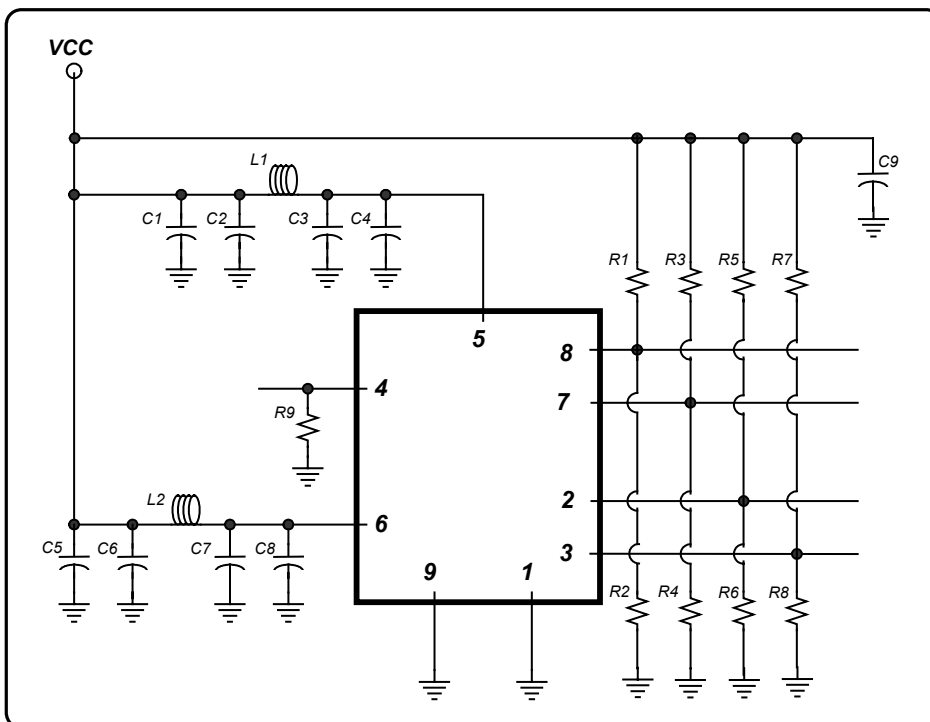
Parameters	Symbol	Condition	Unit	Min.	Typ.	Max.	Remark
Data Bit Rate		PRBS 2 ²³ -1,NRZ	Mbps		155.52		
Fiber Length 9µm core SMF		10 ⁻¹⁰ BER, 155Mbps	km	15 40 60			FP-LD 1.3FP/1.5DFB DFB
TRANSMITTER							
Average Power Output	P _{OUT}	I _f =I _{BIAS} + I _{mod} /2	dBm	-15 -5 -3 -15 -7 -5	-10 -3 0 -10 -5 -3	-8 0 2 -8 -2 0	Tx16x15 Tx16x40 Tx16x60 Tx17x15 Tx17x40 Tx17x60
Extinction Ratio	ER		dB	10			
Center Wavelength	λ _C	CW, @ P _{OUT}	nm	1290 1530	1310 1550	1360 1570	@1.31µm @1.55µm
Spectral Width	Δλ	RMS Width Max. -20dB WD	nm		2.0	4.0 1.0	FP-LD DFB-LD
Side Mode Suppression Ratio	SMSR		dB	30			DFB-LD
Optical Rise/Fall Time	t _r /t _f	10 – 90%	nsec			2.0	
RECEIVER							
Sensitivity (Average Input Power)	P _{IN,MIN}	PRBS 2 ²³ -1, 10 ⁻¹⁰ BER	dBm		-34 -36	-32 -34 -34 -36	TB1#x15 TD1#x15 40/60km TD16x80 TD17x80
Wavelength	λ		nm	1500 1260	1550 1310	1600 1360	@1.55µm @1.31µm
Receiver Overload	P _{IN,MAX}		dBm	-3.0			
Signal Detect Threshold Decreasing light input Increasing light input	P _D P _A		dBm	-46/7	P _{MIN} -3 P _{MIN} -2	-36/4	
Signal Detect Hysteresis	P _A - P _D		dB	0.5	1.0		

Pin Descriptions

Pin No.	Symbol	Description	Level/Logic
1	V _{EER}	Rx Ground	Power supply
2	RD+	Rx Data out(+)	PECL
3	RD-	Rx Data out(-)	PECL
4	SD	Rx Signal detect. (HIGH level for normal operation)	PECL output
5	V _{CCR}	Rx Power supply	Power supply
6	V _{CCT}	Tx Power supply	Power supply
7	TD-	Tx Data in(-)	PECL
8	TD+	Tx Data in(+)	PECL
9	V _{EET}	Tx Ground	Power supply

Recommended Interface Circuit

The transceiver can operate with PECL logic level. The interface circuit with direct-coupled PECL interface is shown in Figure 1. When interfacing with non-PECL logic level, AC coupling can be used as shown in Figure 2. The Signal Detect circuit monitors the incoming optical signal and generates a logic LOW signal when the optical signal is lower than a predefined level. The power supply filters are required for good EMI performance and should be as close to the transceiver as possible.



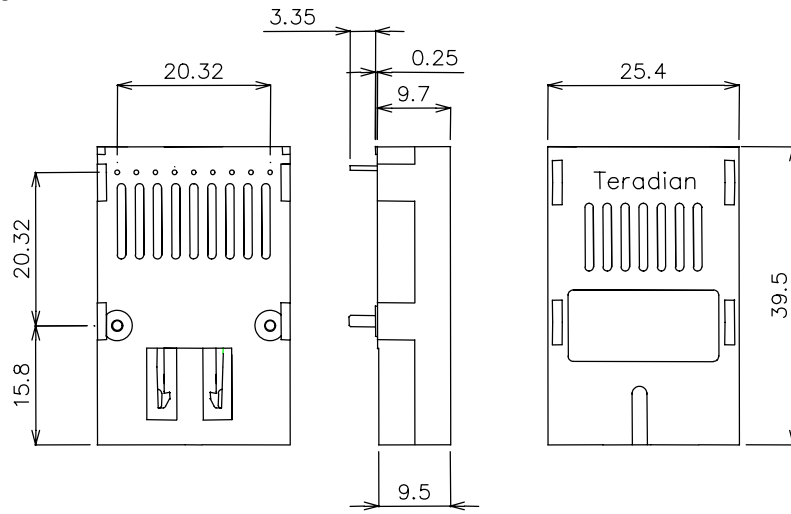
- C1=C4=C5=C8=10uF,
- C2=C3=C6=C7=0.1uF,
- C9=0.1uF

- L1=L2=1.0uH or
Ferrite inductor

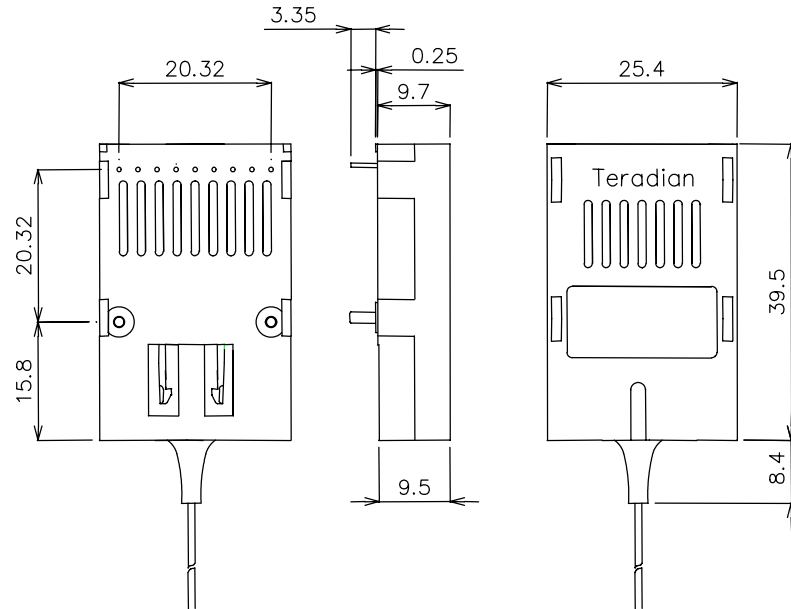
- R1=R3=R5=R7=82Ω
(5.0V) or 82Ω (3.3V),
- R2=R4=R6=R8=130Ω
(5.0V) or 130Ω (3.3V),
- R9=510Ω(5.0V) or
142Ω (3.3V)

Fig. 2 DC-Coupled PECL Interface

Outline Diagram



a. TBxxxx Series Bi-Directional transceiver module(receptacle type)



b. TDxxxx Series Bi-Directional transceiver module(Pigtailed type)

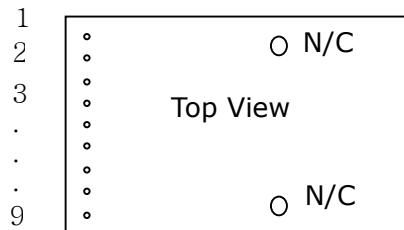


Fig.3 SC Simplex Transceiver Package Dimensions [unit: mm]

! Handling Caution

The transceiver can be damaged by overvoltage and current surges. Precautions should be taken for transient power supply.

This device is susceptible to damage as a result of electrostatic discharge(ESD). Take proper precautions during both handling and testing

! Caution

- All adjustments are made at the factory before shipment to our customers. No maintenance and alteration to device is required.
- Tampering with or modifying the performance of the modules will result in voided product warranty. It may also result in improper operation of the circuitry, and possible overstress of the semiconductor components. Device degradation or product failure may result.
- Use of controls or adjustments or procedures other than those specified herein (ex : Connection of the modules to a non-approved optical source, operating above the recommended absolute maximum conditions, operating in a manner inconsistent with unit design and function) may result in hazardous radiation exposure and may be considered an act of modifying or manufacturing a laser product. The person(s) performing such an act is required by law to recertify the laser product under the provisions of US 21CFR (Subchapter J).
- The use of optical instruments with this product will increase eye hazard.

Notice
On operation, If optical connectors are unterminated, modules can emit invisible laser radiation. Avoided eye exposure to direct or indirect radiation

Ordering Information

Com pany	Func- tion	Data Rate	Wavelength	Supply Voltage	Distance	Pin	Temp. Range	Shielding
T	B	1	6	3	15	-	9	N
Tera dian	B ;Bi-Di TRV. (Recep- tacle) D ;Bi-Di TRV. (Pig- tailed)	1 ;155Mbps 4 ;622Mbps F ;1.06Gbps 8 ;1.25Gbps S ;2.12Gbps G ;2.5Gbps T ;10Gbps A ;Asy. Bi-Di 622M/155M E ;Asy. Bi-Di 1.25G/155M O ;Order- made	3 ;1.3µm 5 ;1.55µm 6 ;Bi-Di T1.3/R1.5 7 ;Bi-Di T1.5/R1.3 8 ;850nm	3 ;3.3V 5 ;5V	SX ;Note1 02 ;2km LX ;5km 10 ;10km 15 ;15km 20 ;20km 30 ;30km 40 ;40km 60 ;60km 80 ;80km	1 ;2X5 (10 pin) 2 ;2X10 (20 pin) 9 ;1X9 (9 pin)	I ;Indoor Use (0~70℃) O ;Outdoor Use (-40~85℃)	N ;No Shield M ;Metal coating

*Note 1 ;
 - 220m with 62.5/125µm MMF @1.25Gbps
 - 500m with 50/125µm MMF @1.25Gbps
 - 200m with 62.5/125µm MMF @2.125Gbps

*Note 2 ; additional order information

- Connector type default is SC/PC and the default length of fiber is 1m
- In case of ordering pigtailed Bi-Di Transceiver, please specify specs. clearly if not default.

More Information

Teradian Inc.

Address 946, Dunsan-dong, Seo-gu, Daejeon, 302-120, Korea
Tel +82-42-476-4800, 4803(Oversea Sales Team)
Fax +82-42-476-4805
Homepage <http://www.teradian.com>
e-mail sales@teradian.com